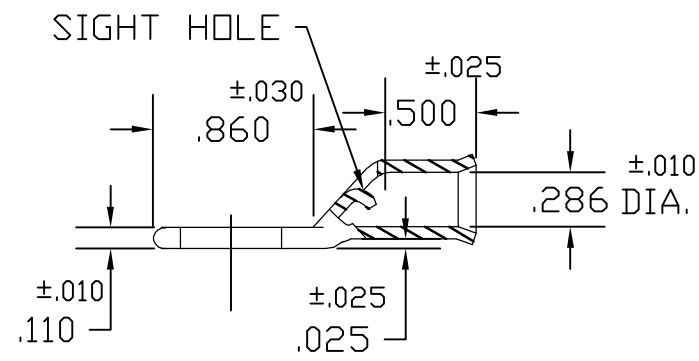
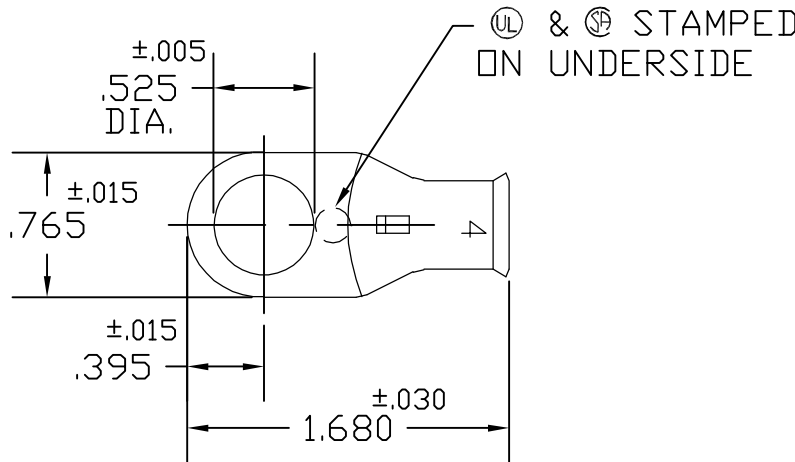


THIS DRAWING IS UNPUBLISHED. RELEASED FOR PUBLICATION
 © COPYRIGHT - BY TYCO ELECTRONICS CORPORATION. ALL RIGHTS RESERVED.

LOC	DIST	REVISIONS					
		P	LTR	DESCRIPTION	DATE	DWN	APVD
G	50		A1	REVISED PER ECR-06-009961	28APR06	HMR	JR



ACTIVE	4503-03	STANDARD	TIN PLATE	1526283-2
ACTIVE	4503-02	STANDARD	PLAIN	1526283-1
STATUS	AET P/N	PACKAGING	FINISH	PART NUMBER

THIS DRAWING IS A CONTROLLED DOCUMENT.		DWN D.A.A. 10/25/00	Tyco Electronics Corporation Harrisburg, PA 17105-3608	
DIMENSIONS: INCHES		CHK H.D.F. 10/25/00		
		APVD H.D.F. 10/25/00	NAME	
TOLERANCES UNLESS OTHERWISE SPECIFIED: 0 PLC ± - 1 PLC ± - 2 PLC ± - 3 PLC ± - 4 PLC ± - ANGLES ± -		PRODUCT SPEC	4 STANDARD TERMINAL W/SIGHT HOLE	
MATERIAL COPPER ASTM B-152		FINISH -	APPLICATION SPEC	
		WEIGHT -	SIZE A3	CAGE CODE 00779
		CUSTOMER DRAWING	DRAWING NO C-1526283	RESTRICTED TO -
			SCALE 1:1	SHEET 1 OF 1
				REV A1